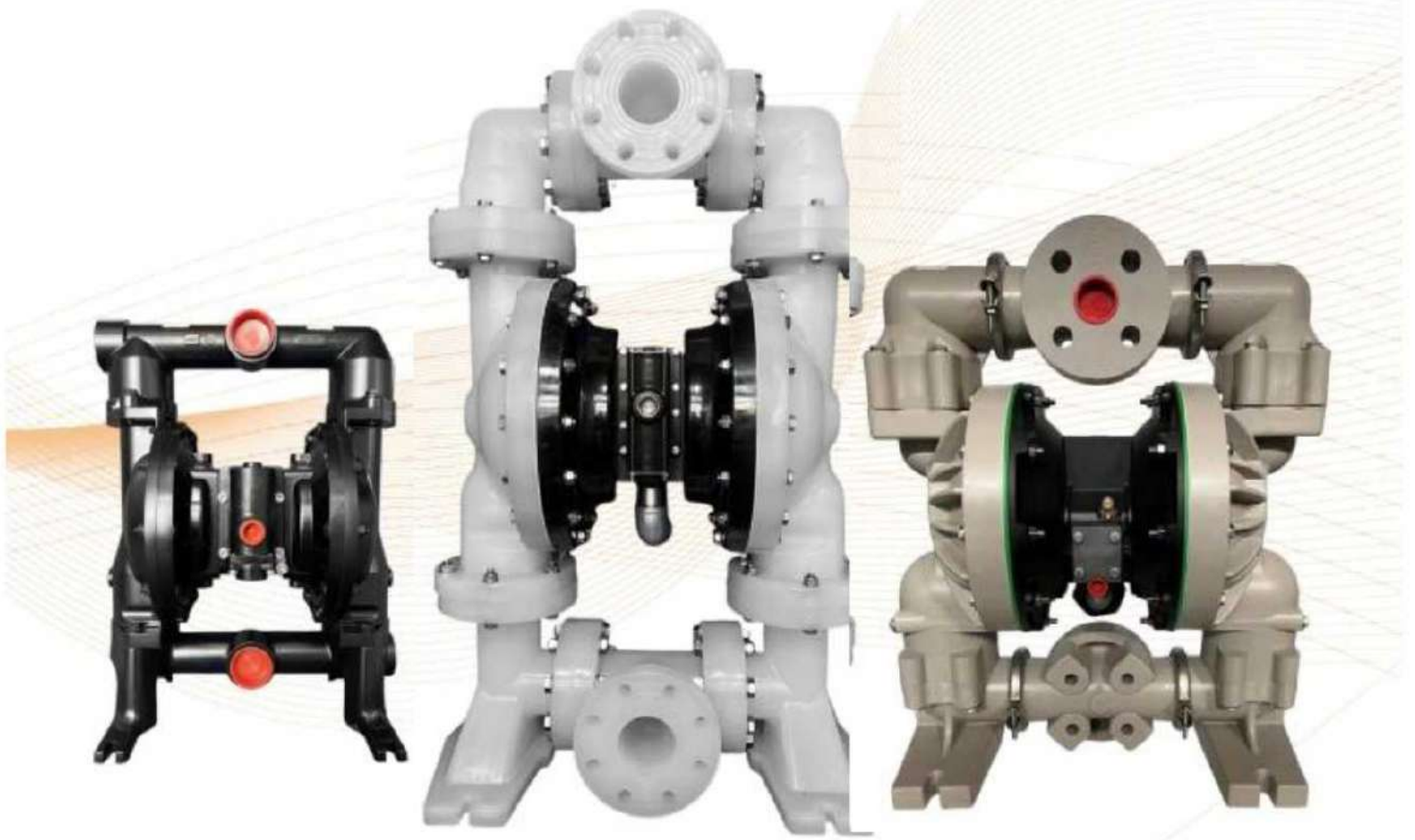


AIR OPERATED DOUBLE DIAPHRAGM PUMPS



AAOD
Pumps

Metallic Air Operated Double Diaphragm Pump Overview:

■ 1/2"

Model: PD05P-XXS-XXX



■ 1"

Model: 6661XX-XXX



■ 1"

Model: PD10X-XXX-XXX



■ 1-1/2"

Model: 66615X-XXX THRU 66618X-XXX



■ 1-1/2"

Model: PD15C-XXX-XXX



■ 2"

Model: 66625X-XXX AND 66627X-XXX



■ 2"

Model: PD20X-XXX-XXX



■ 3"

Model: 66630X-XXX AND 66632X-XXX



■ 3"

Model: PD30X-XXX-XXX



2" PD METALLIC MODELS MODEL: PD20X-XXX-XXX

SPECIFICATIONS:

Ratio:	1:1
Maximum GPM (LPM):	172 (651)
Displacement per cycle: @ 100 psi Gallons (Liters)	1.4 (5.3)
Air Inlet (Female):	3/4 - 14 N.P.T.F.-1
Fluid Inlet/Outlet (Female):	PD20X-AXX-XXX-B 2 - 1 1/2 N.P.T.F.-1 PD20X-BXX-XXX-X Rp 2 (2 - 11 BSP parallel) PD20X-FXX-XXX-B 2" ANSI/DIN hybrid flange
Max. operating pressure psi (bar):	120 (8.3)
Suspended solids max. dia. in. (mm):	1/4" (6.4)
Maximum dry suction lift ft (m):	14 (4.2)
Sound Level:	70 PSI 50 Cycles/Min 85.0 db(A)
Weight lbs (kg):	AL-Aluminum, CI-Cast Iron, H-Hastelloy, SS-Stainless Steel



Air Motor	Connection	Wetted	Pump Wgt
AL	Thread	AL	91.4 (41.5)
AL	Thread	CI	147.4 (66.9)
AL	Thread	SS	149.8 (68)
AL	Flange	SS	162.2 (73.6)

PD20A

Air Motor	Connection	Wetted	Pump Wgt
Poly	Thread	CI	165 (74.8)
Poly	Thread	SS	154 (69.9)
Poly	Flange	SS	146 (66.2)

PD20R

Air Motor	Connection	Wetted	Pump Wgt
SS	Thread	AL	120.3 (54.6)
SS	Thread	CI	176.3 (80)
SS	Thread	SS	178.7 (81.1)
SS	Flange	SS	191.1 (86.7)

PD20S

MODEL DESCRIPTION & ORDERING:

Position	1	2	3	4	5	6	7	8				
Example:	PD20	X	-	X	X	X	-	X	X	X		

Position 1 Model Series	Position 2 Center Section	Position 3 Connections	Position 4 Wetted Parts	Position 5 Hardware	Position 6 Seat Material	Position 7 Ball Material	Position 8 Diaphragm Material
PD20 Standard Pump	A - Aluminum* R - Poly-propylene S - Stainless Steel*	A - NPTF Thread B - BSP Thread F ¹ - 2" ANSI/DIN Hybrid Center Flange † Stainless Steel Pumps Only	A - Aluminum* C - Cast Iron S - Stainless Steel*	P - Plated Steel S - SS	A - Santoprene® C - Hytrel® E - Carbon Steel F - Aluminum G - Nitrile H - 440 SS K - Kynar/PVDF L - Hastelloy-C S - 316 SS	A - Santoprene® C - Hytrel® G - Nitrile S - 316 SS T - PTFE V - Viton®	A - Santoprene® C - Hytrel® G - Buna-N L - Long-Life PTFE T - PTFE/Santoprene® V - Viton®

Hytrel® is a registered trademark of DuPont company, Santoprene® is registered trademark of Monsanto and Viton® is a registered trademark of ExxonMobil

Accessories

SERVICE REPAIR KIT:

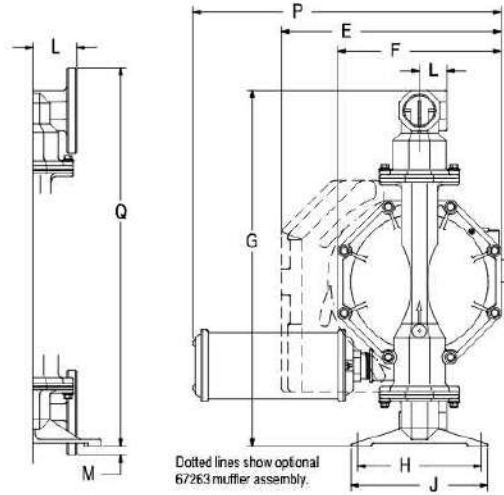
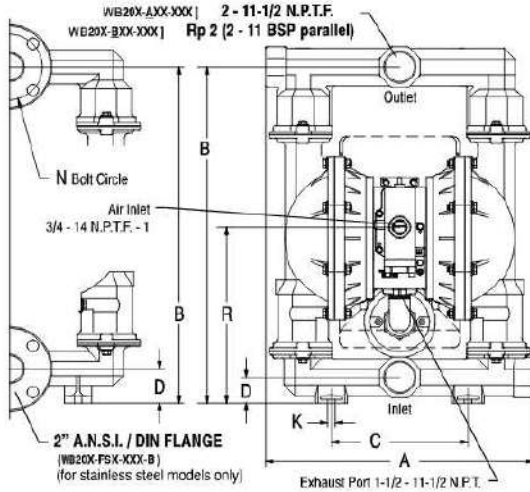
AIR SECTION: PD637369 (FOR PD20R AND PD20Y, PD637421 (FOR PD20A AND PD20S;

FLUID SECTION: PD637309-XXX; (with seats)

MAJOR AIR VALVE ASSEMBLY: PD637374-X;

2" PD METALLIC MODELS MODEL: PD20X-XXX-XXX

DIMENSIONS:



DIMENSIONS

A	see below	G	25-1/4" (666.8 mm)	M	5/8" (15.9 mm)
B	24-3/4" (628.7 mm)	H	9-1/16" (230.2 mm)	N	4.834" (122.8 mm)
C	10-1/16" (255.6 mm)	J	10-1/16" (255.6 mm)	P	21-5/8" (548 mm)
D	see below	K	9/16" (14.3 mm)	Q	27-7/8" (708.0 mm)
E	16-3/16" (411.2 mm)	L	see below	R	see below
F	12" (304.8 mm)				

PD20X-XAX-XXX-B)	"A"	19-3/4" (501.4 mm)	"D"	1-7/8" (47.6 mm)
PD20X-XCX-XXX-B)	"A"	19-3/4" (501.4 mm)	"D"	1-7/8" (47.6 mm)
PD20X-AHX-XXX-B)	-BHX	19-1/4" (488.7 mm)	"D"	2-1/2" (63.5 mm)
PD20X-ASX-XXX-B)	-BSX	19-1/4" (488.7 mm)	"D"	2-1/2" (63.5 mm)
PD20X-FHX-XXX-B)	-FSX	19-1/4" (488.7 mm)	"D"	2-1/2" (63.5 mm)

"L"	"R"
2" (50.8 mm)	12-15/16" (328.6 mm)
2" (50.8 mm)	12-15/16" (328.6 mm)
2-3/32" (53.0 mm)	13-9/16" (344.5 mm)
2-3/32" (53.0 mm)	13-9/16" (344.5 mm)
3-1/4" (82.6 mm)	13-9/16" (344.5 mm)

PERFORMANCE CURVE:

