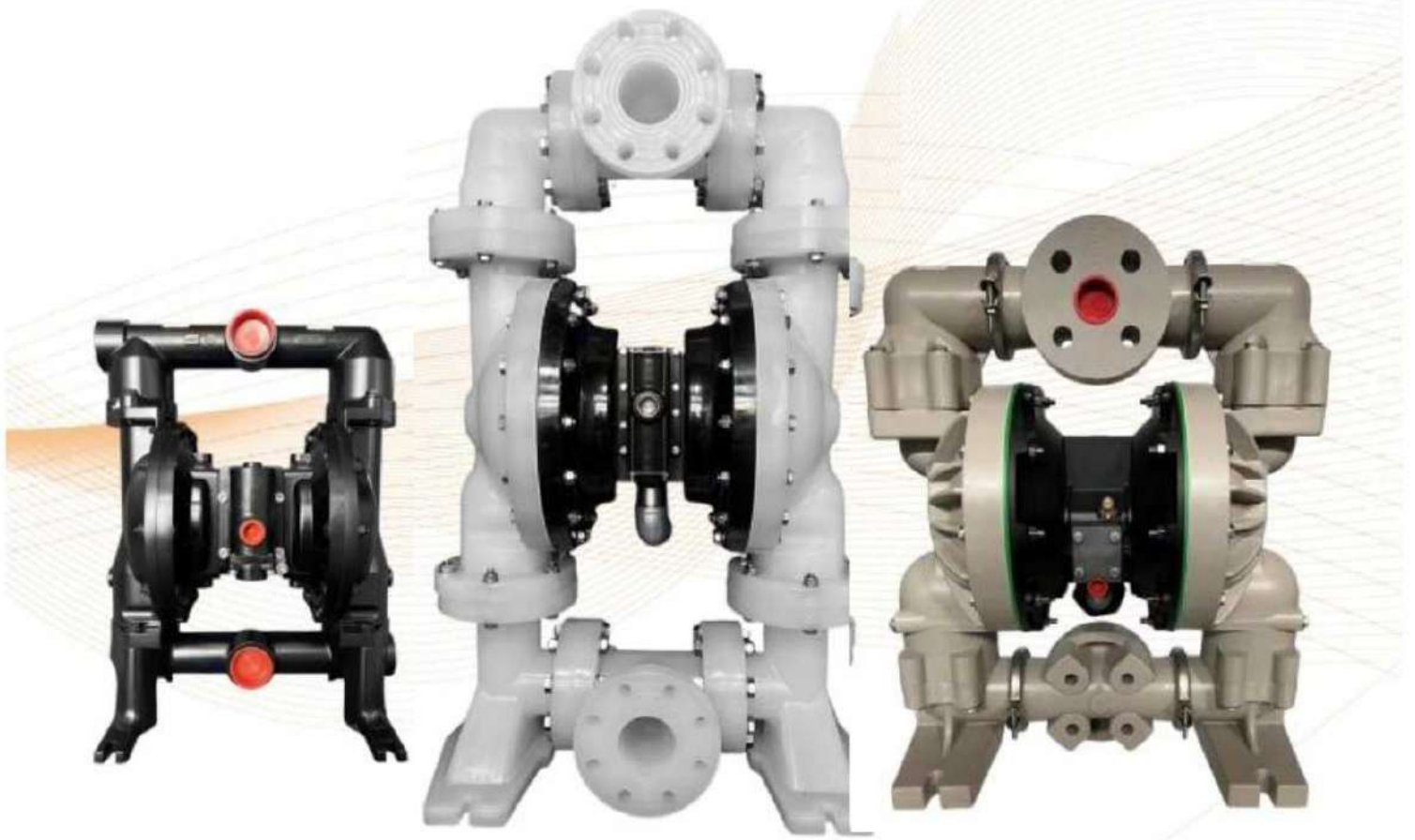


AIR OPERATED DOUBLE DIAPHRAGM PUMPS



AAOD
Pumps

Metallic Air Operated Double Diaphragm Pump Overview:

■ 1/2"

Model: PD05P-XXS-XXX



■ 1"

Model: 6661XX-XXX



■ 1"

Model: PD10X-XXX-XXX



■ 1-1/2"

Model: 66615X-XXX THRU 66618X-XXX



■ 1-1/2"

Model: PD15C-XXX-XXX



■ 2"

Model: 66625X-XXX AND 66627X-XXX



■ 2"

Model: PD20X-XXX-XXX



■ 3"

Model: 66630X-XXX AND 66632X-XXX



■ 3"

Model: PD30X-XXX-XXX



1" 666 METALLIC MODELS

MODEL: 6661XX-XXX

SPECIFICATIONS:

- Air Inlet(female):** 1/4"BSPT(1/4"NPT Available On Request)
- Fluid Outlet(female):** 1"BSPT Or 1"NPT
- Fluid Inlet(female):** 1"BSPT Or 1"NPT
- Maximum Flow Rate:** 35GPM(133LPM)
- Max. Operating Pressure:** 120psi(8.3bar)
- Suspended Solids Max. Dia.:** 1/4"(6.4mm)
- Maximum Dry Suction Lift:** 20feet(6.1m)
- Weight:** 666100-X-C (aluminum)19 lbs(8.6kg)
 666101-X-C stainless steel)36 lbs(16.3kg)
 666102-X-C Cast Iron)31 lbs(14.1kg)
- Displacement Per Cycle:** 0.16Gallons(0.60Liters)
- Sound Level:**70psi 50 cycles/min. 81.0db(A)



MODEL DESCRIPTION & ORDERING:

Position	1	2		3	4	5		
Example	6661X	X	-	X	X	X		

Position 1	Position 2	Position 3	Position 4	Position 5
Center Body	Fluid Caps Manifold Mat.	Seat Material	Ball Check Material	Diaphragm Material
0-Aluminum,NPT	0-Aluminum(steel hardware)	1-Aluminum	1-Neoprene	1-Neoprene
1-Cast Iron, NPT	1-SS(steel hardware)	2-316 Stainless Steel	2-Nitrile	2-Nitrile
2-Aluminum,BSP	2-Cast Iron(steel hardware)	3-Polypropylene	3-Viton	3-Viton
3-Cast Iron,BSP	9-SS,dual outlet(steel hardware)	4-PVDF(Kynar)	4-PTFE	4-PTFE/Santoprene
	A-Aluminum(stainless	5-Carbon Steel	5-E.P.R.	5-E.P.R.
	B-SS(stainless hardware)	8-Hard 400 Stainless Steel	6-Acetal	6-Acetal
	C-Cast Iron(stainless		8-Polyurethane	9-Hytrel
	D-SS,dual outlet(stainless hardware)		A-Stainless Steel	B-Santoprene
			C-Hytrel	
			E-Santoprene	

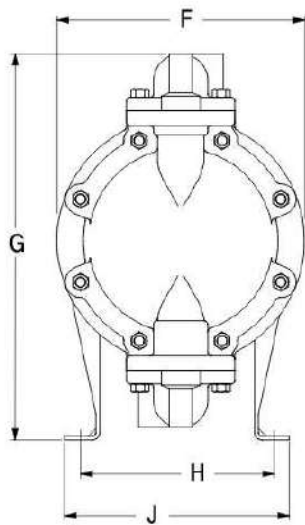
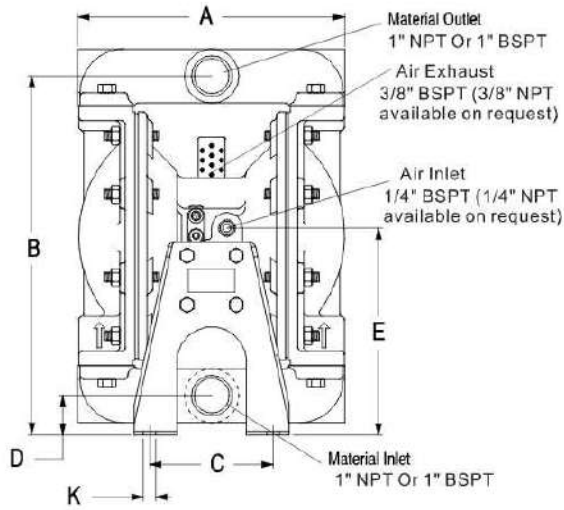
ACCESSORIES:

- SERVICE REPAIR KIT | 666637118-C (air section)
- 666637119-XX-C (fluid section)

1" 666 METALLIC MODELS

MODEL: 6661XX-XXX

DIMENSIONS:



DIMENSIONS

A	8-9/16" (217 mm)	E	6-1/2" (165 mm)	H	6-1/4" (159 mm)
B	11-9/16" (294 mm)	F	8" (203 mm)	J	7-5/16" (186 mm)
C	4" (102 mm)	G	12-1/2" (318 mm)	K	7/16" (11 mm)
D	1-1/4" (32 mm)				

NOTE: Dimensions are shown in inches and (mm), supplied for reference only and are typically rounded up to the nearest 1/16 inch.

PERFORMANCE CURVE:

