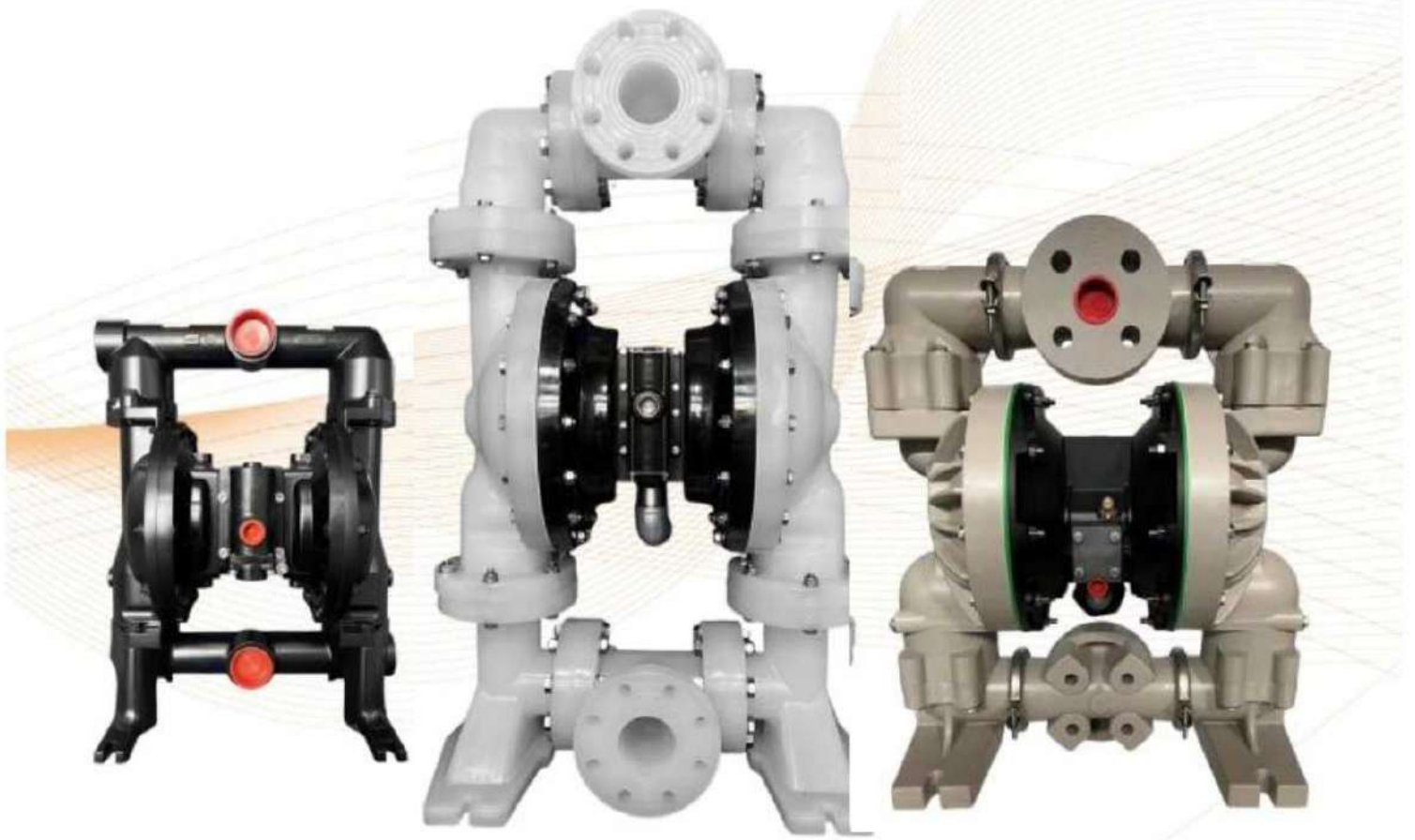


AIR OPERATED DOUBLE DIAPHRAGM PUMPS



AAOD
Pumps

Metallic Air Operated Double Diaphragm Pump Overview:

■ 1/2"

Model: PD05P-XXS-XXX



■ 1"

Model: 6661XX-XXX



■ 1"

Model: PD10X-XXX-XXX



■ 1-1/2"

Model: 66615X-XXX THRU 66618X-XXX



■ 1-1/2"

Model: PD15C-XXX-XXX



■ 2"

Model: 66625X-XXX AND 66627X-XXX



■ 2"

Model: PD20X-XXX-XXX



■ 3"

Model: 66630X-XXX AND 66632X-XXX



■ 3"

Model: PD30X-XXX-XXX



1-1/2" 666 METALLIC MODELS

MODEL: 66615X-XXX THRU 66618X-XXX

SPECIFICATIONS:

- Air Inlet(female):** 1/2"BSPT(1/2"NPT Available On Request)
- Fluid Outlet(female):** 1-1/2"BSPT Or 1-1/2"NPT
- Fluid Inlet(female):** 1-1/2"BSPT Or 1-1/2"NPT
- Maximum Flow Rate:** 90GPM(340.7LPM)
- Max. Operating Pressure:** 120psi(8.3bar)
- Suspended Solids Max. Dia.:** 1/4"(6.4mm)
- Maximum Dry Suction Lift:** 19feet(5.8m)
- Weight** 666150-X-C (aluminum)51.5 lbs(23.4kg)
 666151-X-C (stainless steel)84.5 lbs(38.3kg)
 666152-X-C (Cast Iron)79.5 lbs(36.1kg)
- Displacement Per Cycle:** 0.64Gallons(2.42Liters)
- Sound Level:**70psi 60 cycles/min. 80.5db(A)



MODEL DESCRIPTION & ORDERING:

Position	1	2		3	4	5	
Example	6661X	X	-	X	X	X	

Position 1 Center Body	Position 2 Fluid Caps Manifold Mat.	Position 3 Seat Material	Position 4 Ball Check Material	Position 5 Diaphragm Material
5-Aluminum,NPT	0-Aluminum(steel hardware)	1-Aluminum	1-Neoprene	1-Neoprene
6-Cast Iron, NPT	1-SS(steel hardware)	2-316 Stainless Steel	2-Nitrile	2-Nitrile
7-Aluminum,BSP	2-Cast Iron(steel hardware)	3-Polypropylene	3-Viton	3-Viton
8-Cast Iron,BSP		4-PVDF(Kynar)	4-PTFE	4-PTFE/Santoprene
	A-Aluminum,(stainless hardware)	5-Carbon Steel	5-E.P.R.	5-E.P.R.
	B-SS(stainless hardware)	8-Hard 400 Stainless Steel	6-Acetal	6-Acetal
	C-Cast Iron(stainless)		8-Polyurethane	9-Hytrel
			A-Stainless Steel	B-Santoprene
			C-Hytrel	
			E-Santoprene	

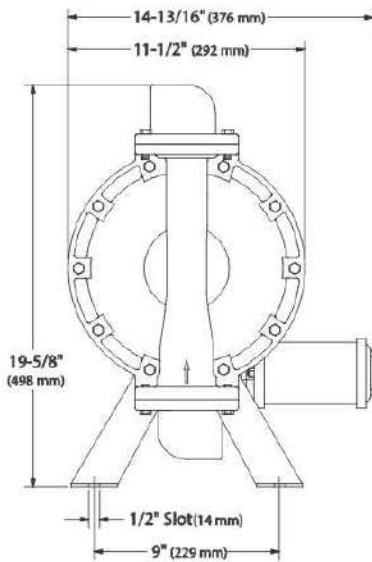
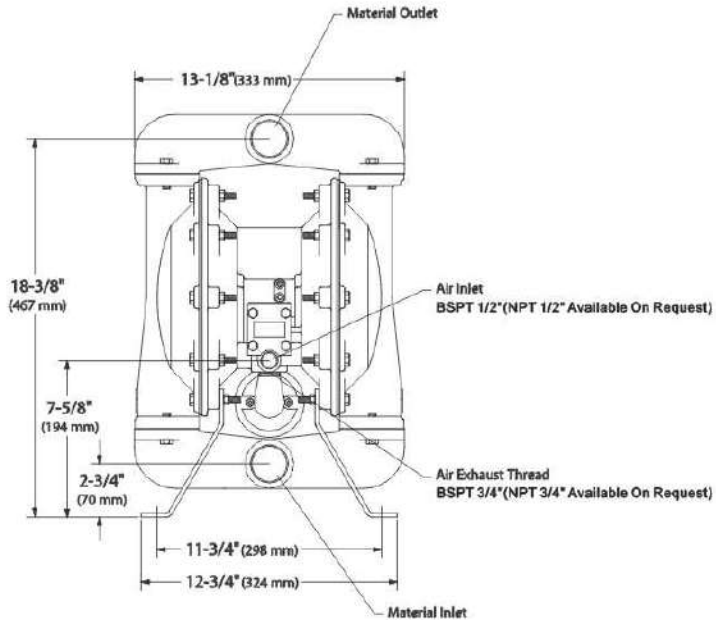
ACCESSORIES:

- SERVICE REPAIR KIT | 666637118-C (air section)**
- 666637124-XX (fluid section)**

1-1/2" 666 METALLIC MODELS

MODEL: 66615X-XXX THRU 66618X-XXX

DIMENSIONS:



PERFORMANCE CURVE:

