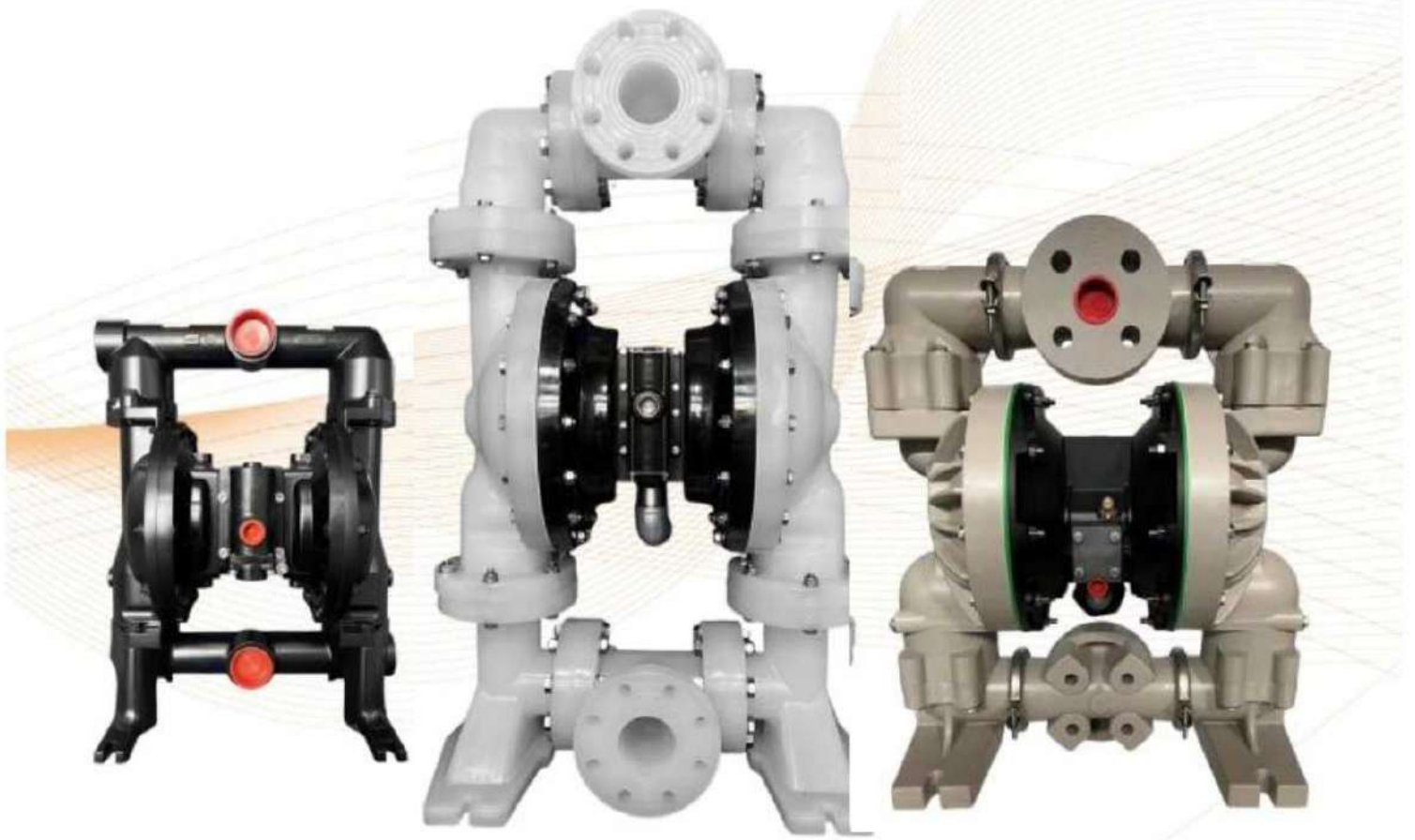


AIR OPERATED DOUBLE DIAPHRAGM PUMPS



AAOD
Pumps

Metallic Air Operated Double Diaphragm Pump Overview:

■ 1/2"

Model: PD05P-XXS-XXX



■ 1"

Model: 6661XX-XXX



■ 1"

Model: PD10X-XXX-XXX



■ 1-1/2"

Model: 66615X-XXX THRU 66618X-XXX



■ 1-1/2"

Model: PD15C-XXX-XXX



■ 2"

Model: 66625X-XXX AND 66627X-XXX



■ 2"

Model: PD20X-XXX-XXX



■ 3"

Model: 66630X-XXX AND 66632X-XXX



■ 3"

Model: PD30X-XXX-XXX



2" 666 METALLIC MODELS

MODEL: 66625X-XXX AND 66627X-XXX

SPECIFICATIONS:

Air Inlet(female): 3/4"BSPT(3/4"NPT Available On Request)

Fluid Outlet(female): 2"BSPT Or 2"NPT

Fluid Inlet(female): 2"BSPT Or 2"NPT

Maximum Flow Rate: 172GPM(651LPM)

Max. Operating Pressure: 120psi(8.3bar)

Suspended Solids Max. Dia.: 1/4"(6.4mm)

Maximum Dry Suction Lift: 27.2feet(8.3m)

Weight: 6662X0-XXX-C 65.2 lbs(29.6kg)

6662X1-XXX-C 129.9 lbs(58.9kg)

6662X2-XXX-C 124.3 lbs(56.38kg)

Displacement Per Cycle: 1.4Gallons(5.3Liters)

Sound Level:70psi 60 cycles/min. 85.3db(A)



MODEL DESCRIPTION & ORDERING:

Position	1	2		3	4	5		
Example	6662X	X	-	X	X	X		

Position 1 Center Body	Position 2 Fluid Caps Manifold Mat.	Position 3 Seat Material	Position 4 Ball Check Material	Position 5 Diaphragm Material
5-Aluminum,NPT	0-Aluminum(steel hardware)	1-Aluminum		
	1-SS(steel hardware)	2-316 Stainless Steel	2-Nitrile	2-Nitrile
7-Aluminum,BSP	2-Cast Iron(steel hardware)		3-Viton	3-Viton
		4-PVDF(Kynar)	4-PTFE	4-PTFE/Santoprene
	A-Aluminum,(stainless hardware)	5-Carbon Steel	A-Stainless Steel	
	B-SS(stainless hardware)	8-Hard 400 Stainless Steel	C-Hytrel	6-Composite PTFE
	C-Cast Iron(stainless hardware)	9-Hytrel	E-Santoprene	9-Hytrel
		E-Santoprene		B-Santoprene
		G-Nitrile		

ACCESSORIES:

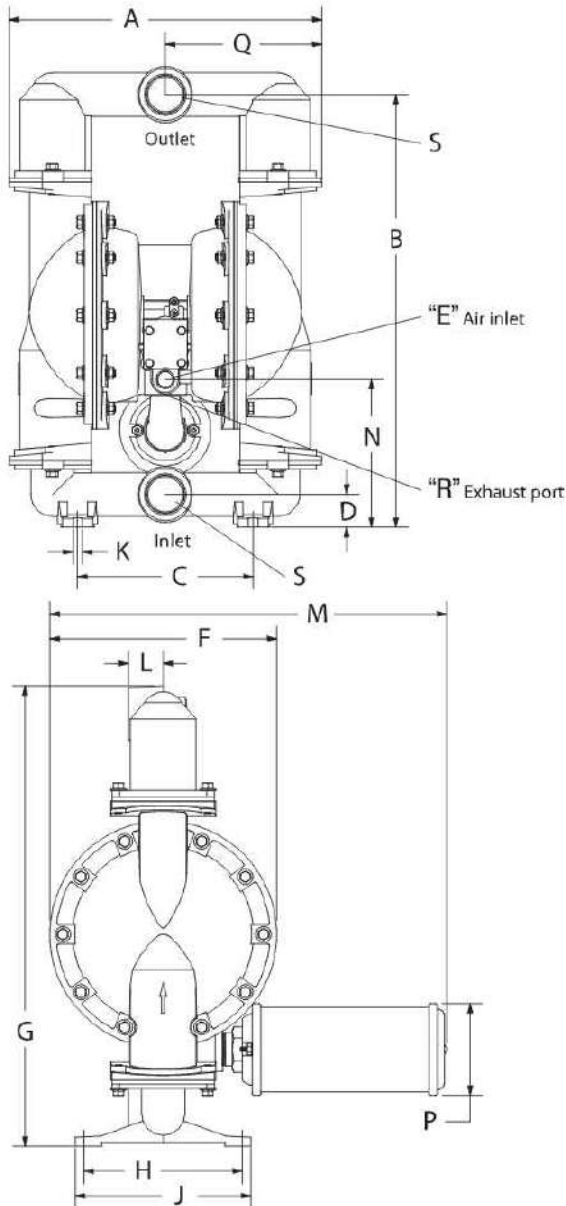
SERVICE REPAIR KIT | 666637434 (air section)

666637432-XX (fluid section)

2" 666 METALLIC MODELS

MODEL: 66625X-XXX AND 66627X-XXX

DIMENSIONS:



DIMENSIONS

A 17-15/16" (455.1 mm)	G 26-3/8" (669.5 mm)	N 8-15/32" (214.6 mm)
B 24-3/4" (628.7 mm)	H 9-1/16" (230.2 mm)	P 5-1/4" (133.4 mm)
C 10-1/16" (255.6 mm)	J 10-1/16" (255.6 mm)	Q 8-13/32" (227.6 mm)
D 1-7/8" (47.6 mm)	K 9/16" (14.3 mm)	R 1-1/4 - 11-1/2 N.P.T.F.-1
E 3/4 - 14 N.P.T.F. - 1	L 2" (50.8 mm)	S (see below)
F 13" (330.2 mm)	M 22-3/4" (577.3 mm)	

"S" Inlet / Outlet

66625-XXX-C	NPT 2"
66627-XXX-C	Rp 2 (2 - 11 BSP parallel)

NOTE: Dimensions are shown in inches and (mm), supplied for reference only and are typically rounded up to the nearest 1/16 inch.

PERFORMANCE CURVE:

